

已确认此版本的所有图纸

客户签名: 日期:

REV

1.0

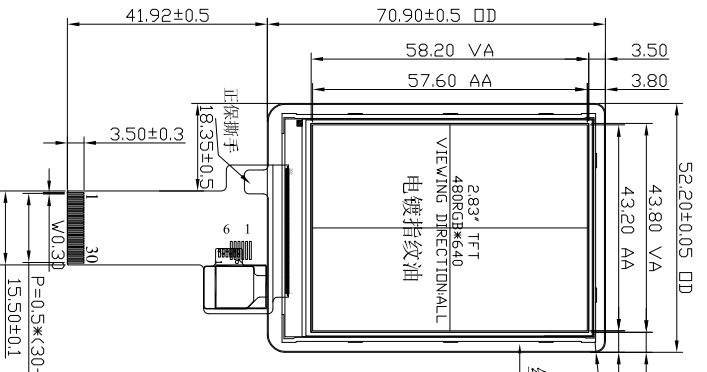
首次设计:

DESCRIPTION

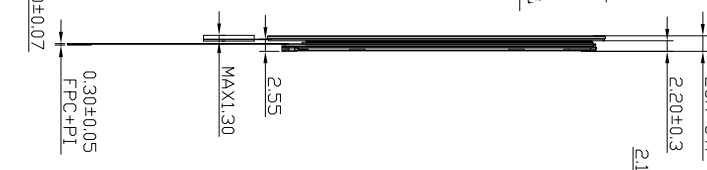
2023-03-30

DATE

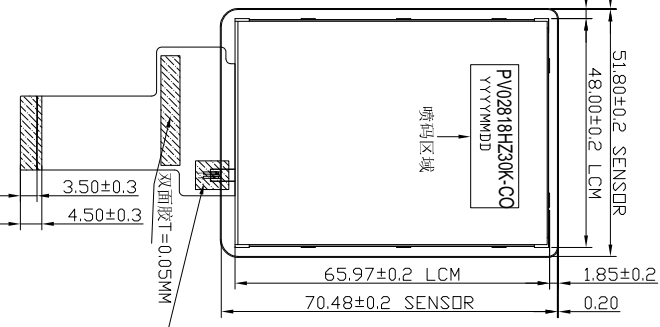
正视图



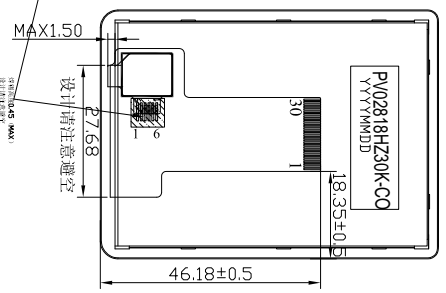
侧视图



背视图



FPC弯折示意图
FPC弯折出货

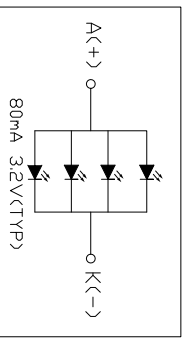


Pin Assignment
1 LEDA
2 LEDA
3 LEDK
4 LEDK
5 GND
6 VCI
7 IOVCC
8 GND
9 GND
10 MIP1_TDN1
11 MIP1_TDP1
12 GND
13 MIP1_CLKN
14 MIP1_CLKP
15 GND
16 MIP1_TDN0
17 MIP1_TDP0
18 GND
19 GND
20 RESET
21 GND
22 TE
23 GND
24 GND
25 TP_VCI
26 TP_SCL
27 TP_SDA
28 TP_INT
29 TP_RES
30 GND

- 技术参数
1. 结构: GFF
 2. 盖板: 熊猫 $\Gamma=0.7 \pm 0.05$
 3. IC及触点数: GT1151QM (五点+手势)
 4. 工作温度: $-20^{\circ}C$ ~ $+70^{\circ}C$
 5. 储存温度: $-30^{\circ}C$ ~ $+80^{\circ}C$
 6. 跌落测试: 64G钢球, 40cm高度
 7. 表面硬度: $\geq 7H$ Glass
 8. 环保: ROHS
 9. 透光率: $>85\%$
 10. 雾度: $<3\%$
 11. 未标注公差按 $\pm 0.2mm$, 开孔尺寸公差 ± 0.05 位置公差 ± 0.15

Notes:

1. Display Mode: 16. 7M TFT/Normally Black
2. Viewing Angle: ALL
3. LCD Driver IC: ST7701SN
4. Operating Temp: $-20^{\circ}C$ ~ $+70^{\circ}C$
5. Storage Temp: $-30^{\circ}C$ ~ $+80^{\circ}C$
- 6.*: Critical Dimension, (): Reference Dimension
7. Undefined Tolerance: ± 0.2
8. Surface Luminance: TBD CD/M² (TYP)
9. Requirements on Environmental Protection: ROHS



No:	TP PIN NAME
1	VDD 2.8V
2	SCL 1.8V
3	SDA 1.8V
4	INT 1.8V
5	RST 1.8V
6	GND

Kingtech Group Co., Ltd

PV02818HZ30K-CO

DO NOT SCALE THIS DRAWING. GENERAL TOLERANCE: ± 0.2

PART NO.:	ASSEMBLY	DATE:	SCALE: N:T:S
PV02818HZ30K-CO			
DRAWN BY:	DATE:	FPC弯折示意图	
CHECKED BY:	DATE:	UNIT: mm	
APPROVED BY:	DATE:		