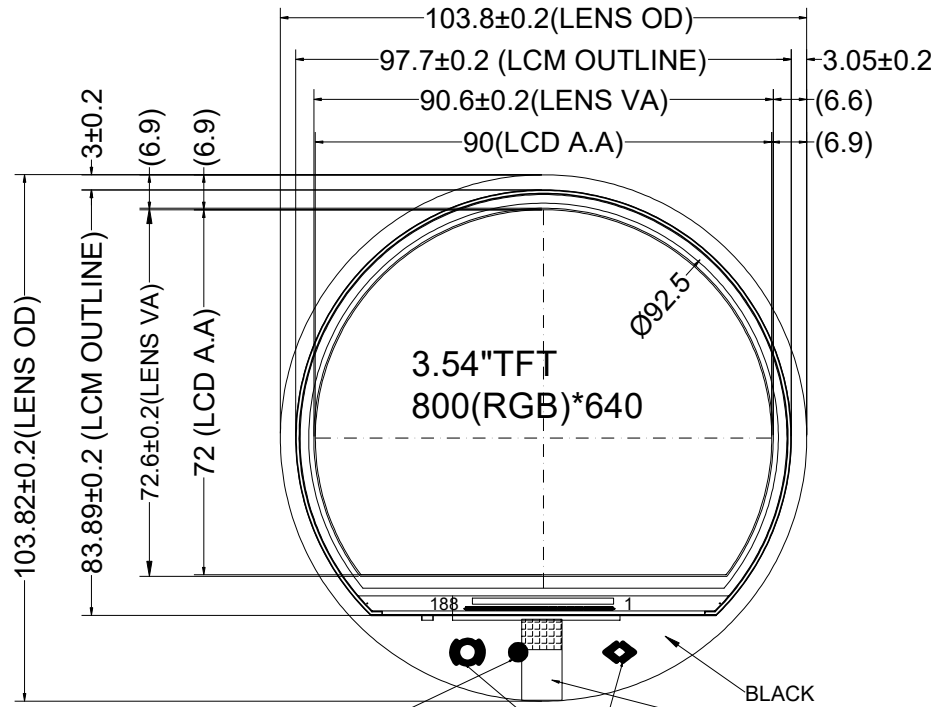


REV	REVISION RECORD	SIGN	DATE	△	Change LENS V.A and tear tape	Jim
△	First Issue	YZD		△	Change IC	Jim
△	Change LENS VA	YZD		△	Change color of Key	
△	Change LENS OD	YZD		△	Add label	

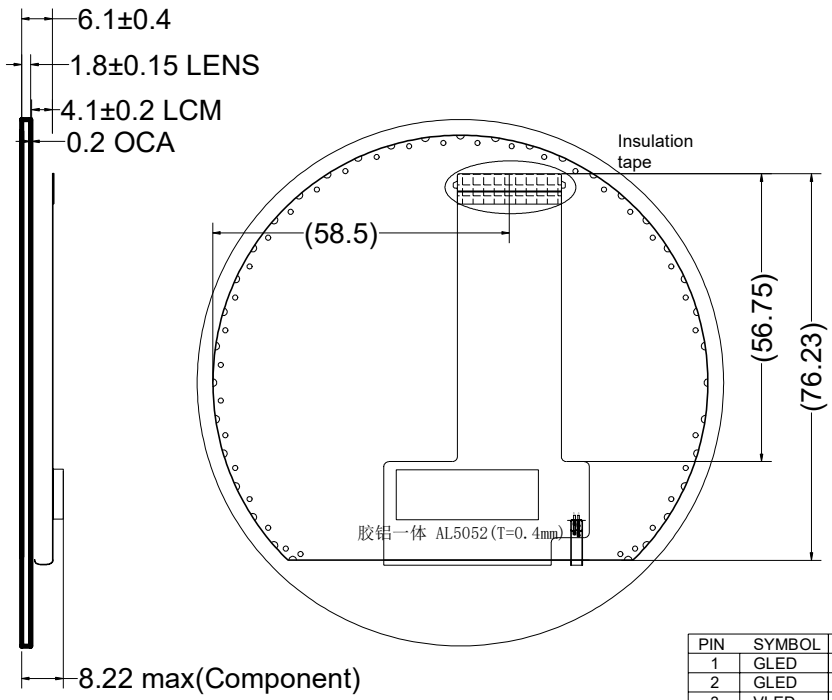


丝印黑色半透油墨, 透率 < 5% (550nm 可见光)

丝印灰色半透油墨, 透率 < 5% (550nm 可见光)

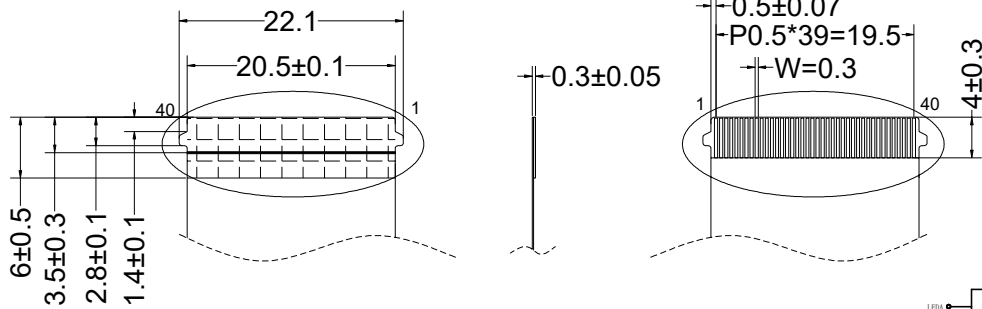
BLACK

TEAR TAPE

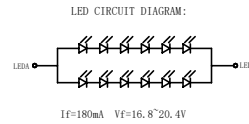


PIN	SYMBOL	PIN	SYMBOL
1	GLED	21	G6
2	GLED	22	G7
3	VLED	23	B0
4	VLED	24	B1
5	GND	25	B2
6	VDD	26	B3
7	R0	27	B4
8	R1	28	B5
9	R2	29	B6
10	R3	30	B7
11	R4	31	GND
12	R5	32	DCLK
13	R6	33	DISP
14	R7	34	HS
15	G0	35	VS
16	G1	36	DE
17	G2	37	VDD_OTP
18	G3	38	SDA
19	G4	39	SCL
20	G5	40	CS

- COVER LENS 材质: 表面硬度 ≥6H(750gf), CS>450Mpa, DOL>8um;
- Glass 厚度: 1.8mm, 视窗区丝印公差: ±0.15mm;
- 油墨总厚度 ≤20um
- 不可有刮伤或异物, 请注意洁净度,
- 落球条件: 130g/50cm, 中心点三次OK; 高温高湿条件: +80°C/RH95%/2
- 按键丝印未注公差 ±0.03mm, 其它未注公差 ±0.1mm, \*标号尺寸为重点管
- 符合 ROHS 标准;
- 紫外线箱实验: 8H 灯照 0.75W/m<sup>2</sup> 60°C 20分加湿冷凝 50°C, 湿度 60% 120T



Detail 2:1



Screen Size:	3.54(inch)	OP Temperature:	-30~+85°C	Backlight Characters:	180mA
View Direction:	Full view	ST Temperature:	-40~+90°C	Luminance + LED:	830nit/27PCS
Grey scale:		Analog Voltage:	3.3V	Driver IC :	FL5893
Display mode:	IPS	Digital Voltage:		Reminder :	

Kingtech Group Co.,Ltd

Outline	NAME: PV035400D0140A-LO		
VER:G	U: mm	S: 1:1	Date: 20230823
APPROVED	CHECKED	DRAWN	

ROHS must be complied Unspecified tolerance is ±0.25mm